

Comtech Pump JP700

Single line grouting injection pump.

Specifications:

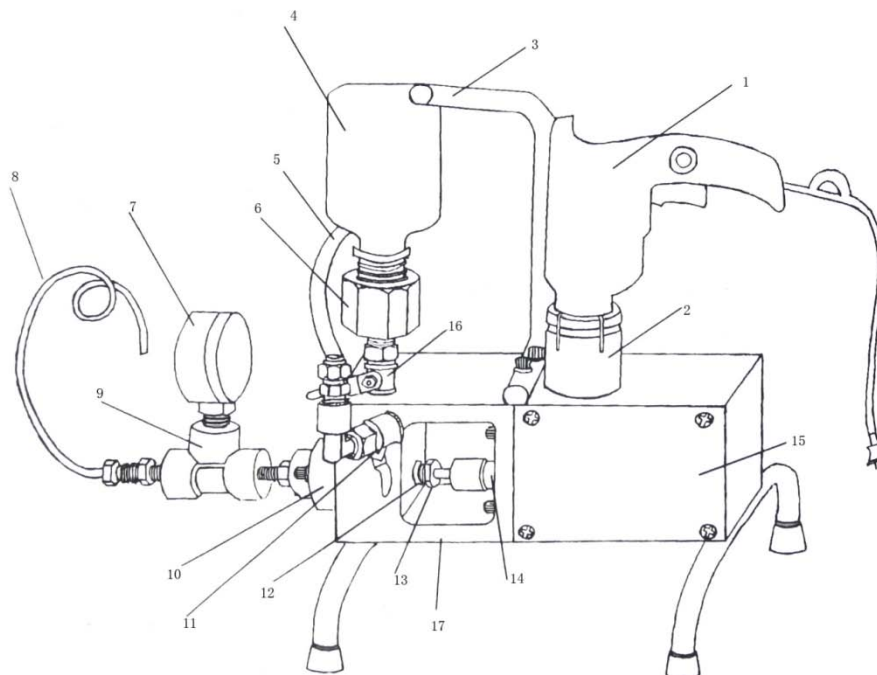
Model : JP 700

Maximum Pressure : 700Kg/cm²

Recommended Pressure: 250Kg/cm²

Drive Type : Electric motor driven (Metabo).

Power / Power Consumption : 220V / 560W



1. Electric Drill	2. Electric Drill Fix	3. Lifting Handle
4. Inlet Tub	5. Suck Hose	6. Inlet Tub Fix
7. High Pressure Gauge	8. High pressure hose	9. Three Direct Link
10. Piston Fix	11. On-off Valve	12. Piston
13. Copper Screw Cap	14. Piston Rod	15. Gear Case
16. On-off Valve	17. Alluminim Front Body	

Comtech. Middle East Bldg. Chemical Ind. LLC
 P.O.Box47611, Sharjah, UAE.
 Tel. (9716) 544 18 73
 Fax (9716) 544 18 79
 E-mail: comtech2@eim.ae